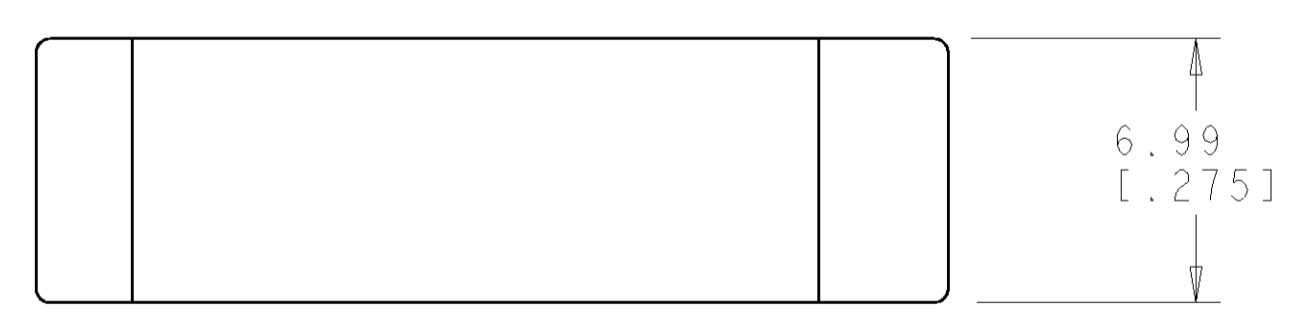
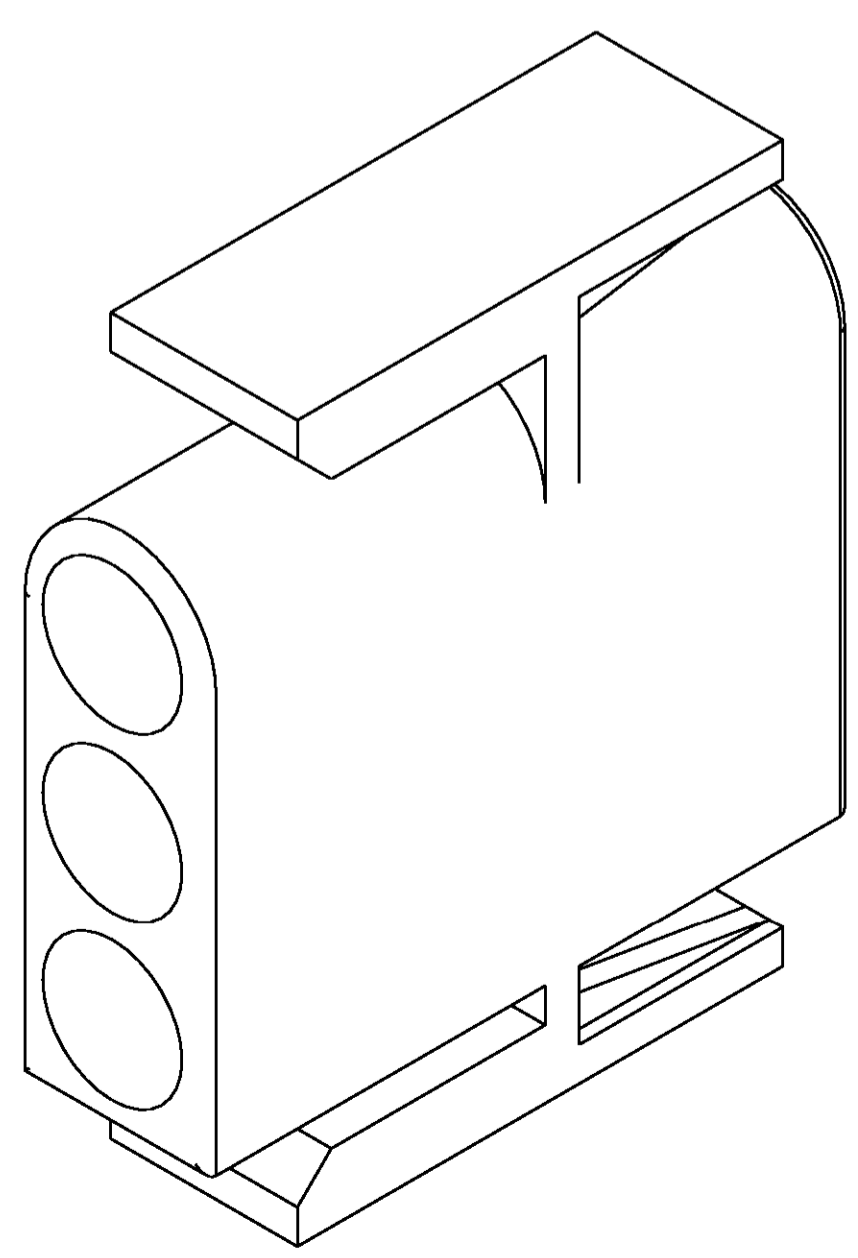
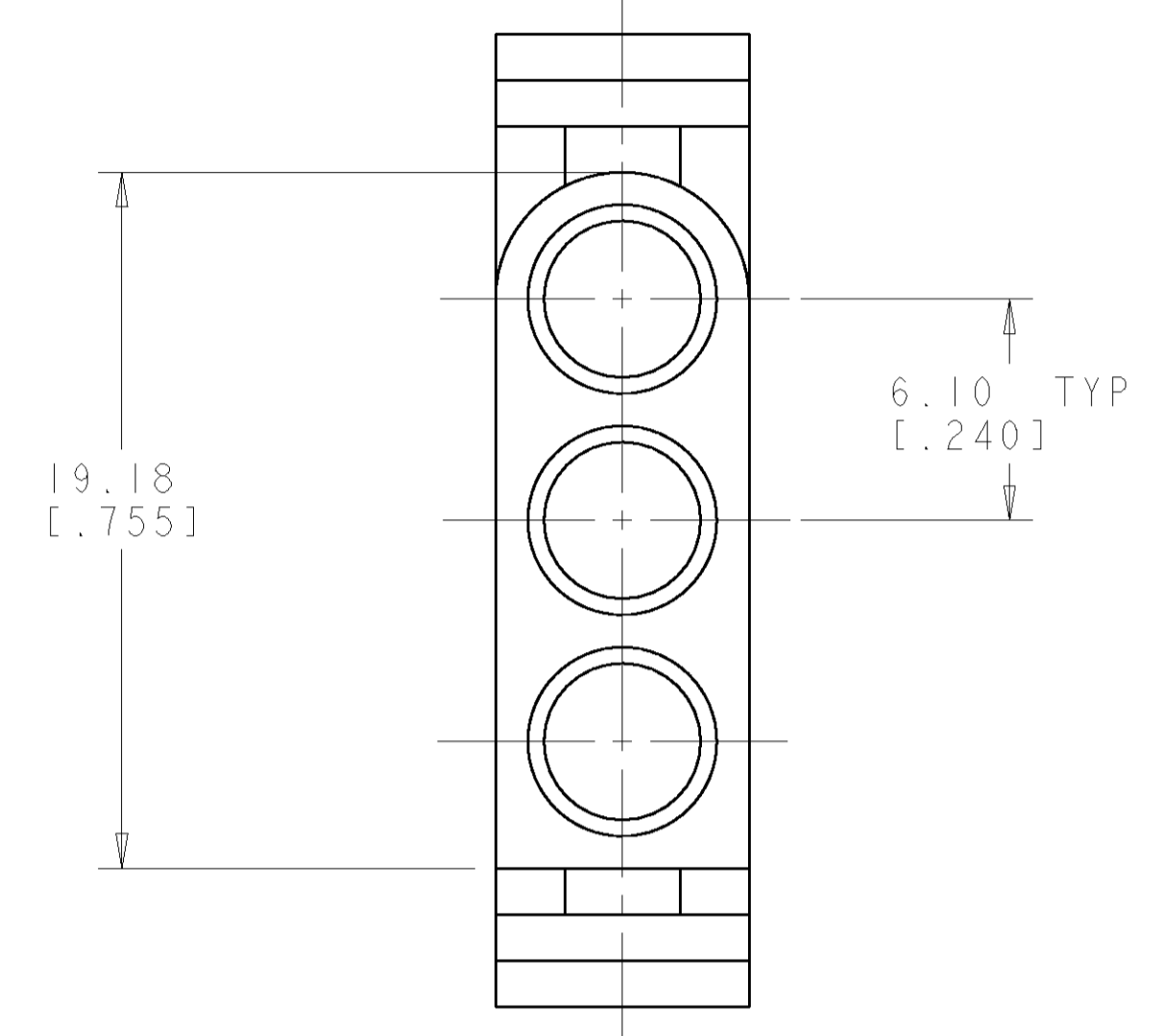
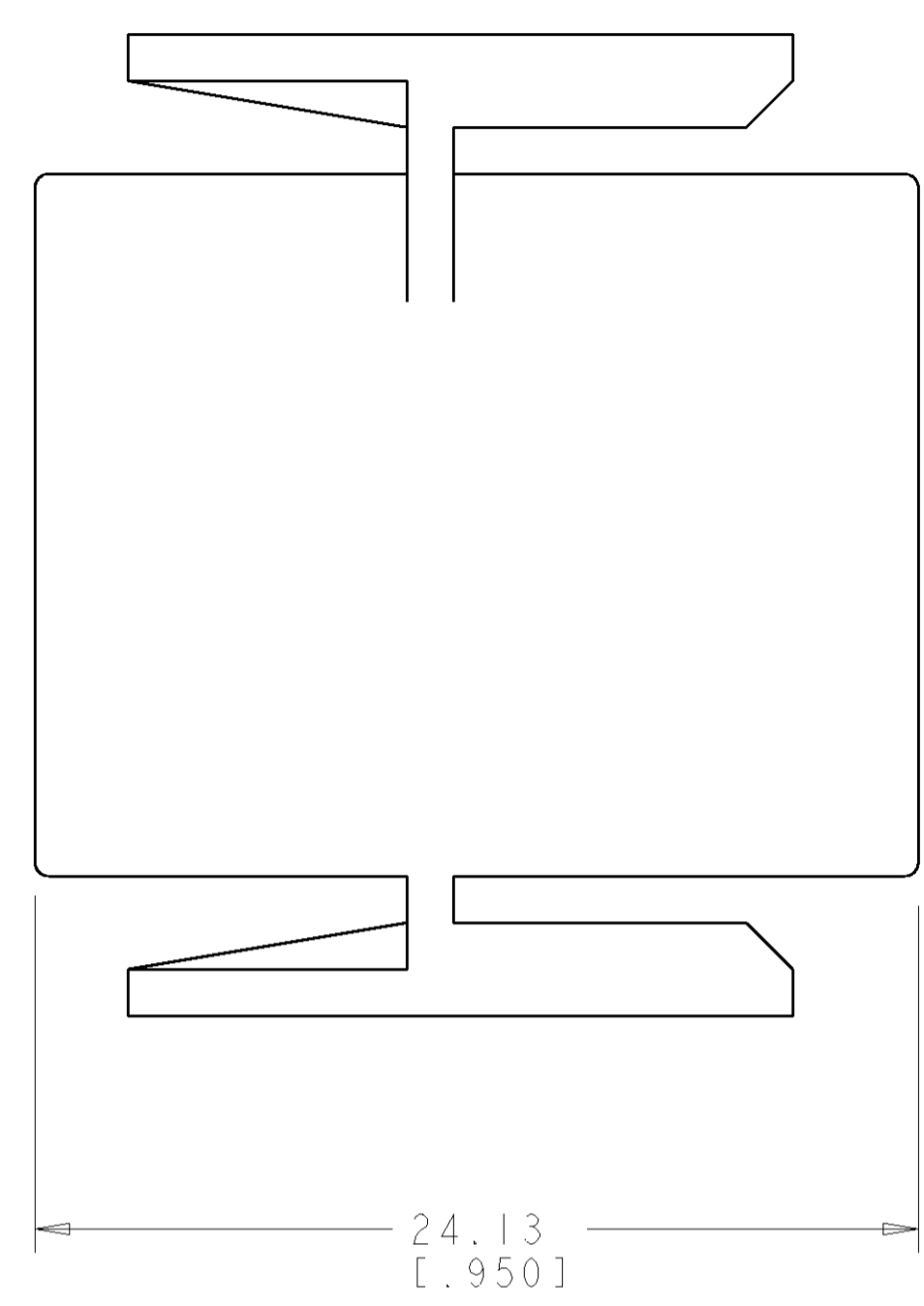
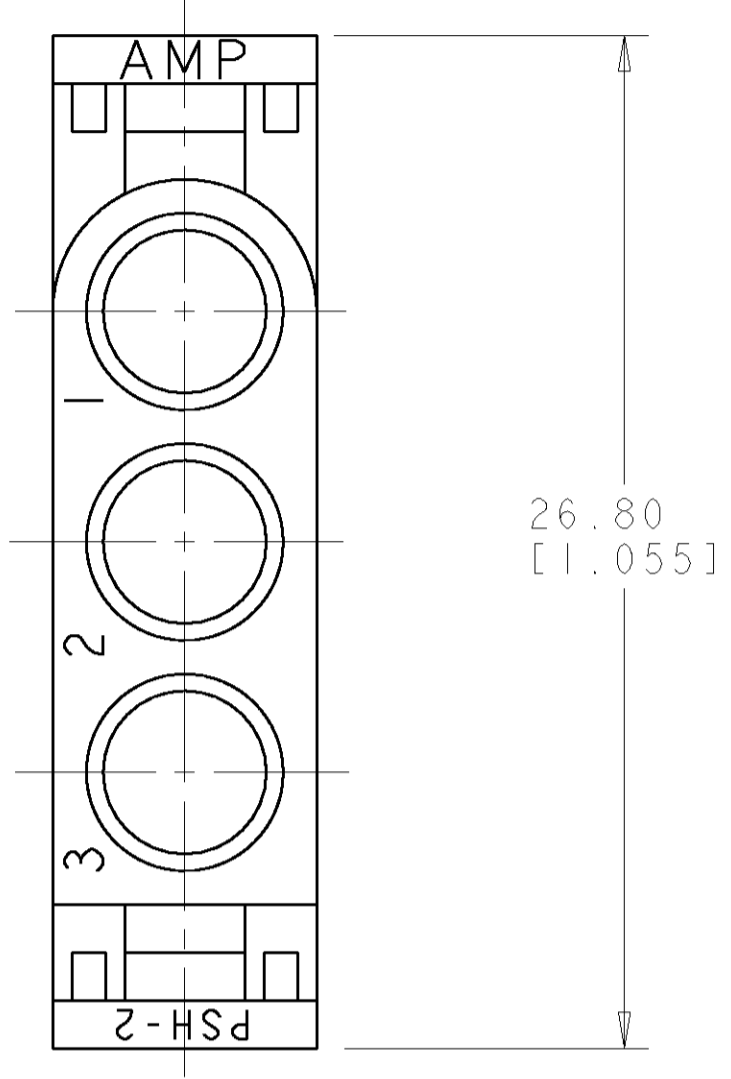


LOC		DIST		REVISIONS			
CM	00	P	LTR	DESCRIPTION	DATE	DWN	APVD
		0		RELEASED PER 0638-0556-00	17OCT2000	KW	SR

1. TO BE USED WITH .140 SERIES SOCKETS.
2. TO BE USED WITH CAP HOUSING 794862.



794861-1
PART NUMBER

METRIC

<small>THE DIMENSIONS ON THIS DRAWING ARE UNLESS OTHERWISE SPECIFIED IN MILLIMETERS OR INCHES. DIMENSIONS IN MILLIMETERS ARE TO BE USED UNLESS OTHERWISE SPECIFIED. DIMENSIONS IN INCHES ARE TO BE USED UNLESS OTHERWISE SPECIFIED.</small>		DWN B. WHITAKER 17OCT2000	Tyco Electronics Harrisburg, PA 17105-3608
DIMENSIONS: mm [INCHES]		CHK S. RIDGILL 17OCT2000	
TOLERANCES UNLESS OTHERWISE SPECIFIED: 0 PLC ± 1 PLC ± 2 PLC ±0.13(.005) 3 PLC ± 4 PLC ± ANGLES ±0.30° FINISH -		APVD S. RIDGILL 17OCT2000	NAME PRODUCT SPEC APPLICATION SPEC
MATERIAL: NYLON UL94V-0, WHITE		WEIGHT -	SIZE: CAGE CODE: DRAWING NO: RESTRICTED TO: A 00779 C=794861 -
CUSTOMER DRAWING		SCALE: 5:1	SHEET 1 OF 1 REV 0